




AeraMax[®] Pro AM III with Stand



 This air quality control system reduces the presence of airborne germs, allergens, and odors.

AM III

Please read these instructions before use.
Do not discard: keep for future reference.

SAFETY INSTRUCTIONS/WARNING

Thank you for purchasing the AeraMax® PRO AM III.

Please read and save these instructions. Read carefully before attempting to operate or maintain this product. Protect yourself and others by observing all safety information. Failure to comply with instructions could result in personal injury and/or property damage. Retain instructions for future reference.

IMPORTANT CAUTIONS AND INSTRUCTIONS FOR USING AIR PURIFIER:

WARNING: Follow the instructions in this manual to reduce the risk of electric shock, short circuit, and/or fire:

- Do not use this air purifier as sole protection against harmful pollutants.
- Use this unit only in the manner intended by the manufacturer. If you have questions, contact the manufacturer.
- Do not repair or modify the unit unless specifically recommended in this manual. All repairs should be completed by a qualified technician.
- The plug for this unit is polarized with one blade wider than the other. Do not force the plug into an electrical outlet.
- Do not alter the plug in any way. If the plug does not fit into the outlet, reverse the plug. If it still does not fit, contact a qualified technician to install a proper outlet.
- Do not use if the power cord or plug is damaged or the connection to the wall outlet is loose.
- Use AC 120V only.
- Do not damage, break, forcefully bend, pull, twist, bundle, coat, pinch, or place heavy objects on the power cord.
- Periodically remove dust from the power plug. This will reduce the chance that humidity will accumulate, which increases the risk of electric shock.
- If the power plug is damaged, it must be replaced by the manufacturer or a qualified technician.
- Remove the power plug from the outlet before cleaning the unit. When removing the power plug, grasp by holding the plug itself, never hold by the cord.
- Remove the power plug from the outlet when the unit is not in use.
- Do not handle the power plug with wet hands.
- Do not run power cord under carpets or cover with throw rugs.
- The AeraMax® PRO air quality control system must be grounded.
- Use only the electrical power (voltage and frequency) specified for the model air purifier being installed.
- Do not obstruct the air inlet or air outlet of the air purifier.
- Do not use unit without filters installed.
- Do not wash and reuse any of the filters.
- Do not use attachments or filters other than AeraMax® PRO brand, as unit will not function.
- Do not spray aerosols on, or into the unit.
- Do not use detergent to clean the unit.
- Do not insert fingers, liquids, or foreign objects into the air intake or outlet.
- Do not use the unit for anything other than air purification.

LIMITED PRODUCT WARRANTY

Limited Warranty: Fellowes, Inc. ("Fellowes") warrants the AeraMax® PRO air quality control system (the "Product") to be free of defects in material and workmanship for 5 years from date of purchase. In the event that the Product is installed into new construction, the warranty period shall commence on the date of the occupancy permit or one year after the date of purchase, whichever is earlier. If any part is found to be defective during the warranty period, your sole and exclusive remedy will be repair or replacement, at Fellowes' option and expense, of the defective part. This warranty does not cover damage caused by use of non-Fellowes approved filters or failure to follow the recommended replacement schedule. This warranty does not apply in cases of abuse, mishandling, failure to comply with product usage standards, operation using an improper power supply (other than listed on the label), or unauthorized repair. Fellowes reserves the right to charge the consumers for any additional costs incurred by Fellowes to provide parts or services outside of the country where the Product was initially sold by an authorized reseller. This warranty does not cover replaceable filters. In the event that the Product is not readily accessible to Fellowes designated service personnel, Fellowes reserves the right to supply customer with replacement parts or Product in full satisfaction of its obligations under this warranty and any service obligations. ANY IMPLIED WARRANTY, INCLUDING THAT OF MERCHANTABILITY OR FITNESS FOR A PARTICULAR PURPOSE, IS HEREBY LIMITED IN DURATION TO THE APPROPRIATE WARRANTY PERIOD SET FORTH ABOVE. In no event shall Fellowes be liable for any consequential, incidental, indirect or special damages. This warranty gives you specific legal rights. The duration, terms, and conditions of this warranty are valid worldwide, except where different limitations, restrictions, or conditions may be required by local laws.

PACKAGING CONTENTS

- AeraMax® PRO Air Quality Control System
- True HEPA Filter with AeraSafe™ Antimicrobial Treatment (1 filter)
- Activated Carbon Filter w/Pre-Filter (1 of each filter)
- Keys for Locking Front Panel (2)
- Registration information

PRODUCT SPECIFICATIONS

AeraMax® PRO AM III	
Dimensions (H x W x D)	20 x 21 x 9 inches / 50.8 x 53.3 x 22.8 cm
Weight of System (including filters)	20.2 lbs. / 9.16 kg
Power Requirements	120 volt, 60 Hz, 2 amp
Power Consumption (5 fan speeds)	5, 8, 11, 21, 100 watt
Air Delivery (5 fan speeds)	76, 93, 112, 140, 220 CFM
Decibels	38, 41, 48, 52, 67 dB
Display	Capacitive Touch, Internal Access Only
Sensors	EnviroSmart™
Sensor Controlled Operation Modes	2 Primary modes - Normal Mode and Quiet Mode
Supplied Filters	1 True HEPA Filter with AeraSafe™ Antimicrobial Treatment with an estimated average filter life of 1 year, 1 Activated Carbon Filter with Pre-Filter, estimated average filter life 6 months.
Cleaning System	High Efficiency Particulate Air (HEPA) filter rated efficiency of 99.97% of airborne particulate at 0.3 microns. Carbon Filter adsorbs odor and volatile organic compounds, PlasmaTRUE™ bipolar ionizer.
Color	<ul style="list-style-type: none"> • Stainless (item# 9450001), • White (item# 9431601), • Graphite (item #9434901), • Custom finish available, call for more details

REPLACEMENT FILTERS - AMIII models require 1 of each filter

HEPA	True HEPA filter replacement with AeraSafe™ treatment. Average filter life 2 years: 9416601 – 2 pack
Carbon	Granular activated carbon replacement filter with pre-filter. Average filter life 6 months: 9416501 – 4 pack

For additional replacement filter and accessory information please visit: www.aeramaxpro.com

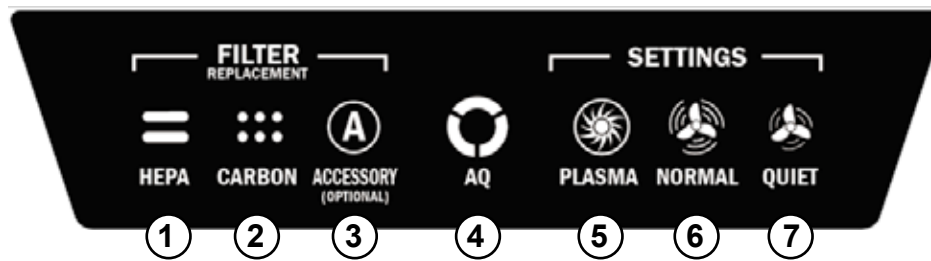
INFORMATION TO THE USER

This equipment has been tested and found to comply with the limits for Class B digital device, pursuant to part 15 of the FCC Rules. These limits are designed to provide reasonable protection against harmful interference in an installation. This equipment generates, uses and can radiate radio frequency energy and, if not installed and used in accordance with the instructions, may cause harmful interference to radio communications. However, there is no guarantee that interference will not occur in a particular installation. If this equipment does cause harmful interference to radio or television reception, which can be determined by turning the equipment off and on, the user is encouraged to try to correct the interference by one or more of the following measures:

- Reorient or relocate the receiving antenna
- Increase the separation between the equipment and receiver
- Connect the equipment on a circuit different from that to which the receiver is connected.
- Consult the dealer or experienced radio/TV technician for help.

WARNING: Any changes or modifications not expressly approved by the manufacturer could void the user's authority to operate the equipment and warranty.

DISPLAY PANEL



NOTE: after the unit is turned on the “AQ” light will flash for a few minutes while the system self-calibrates.

- 1 HEPA FILTER REPLACEMENT INDICATOR** — This indicator will show its status when the access panel is open or closed. If the light is red this indicates the filter needs replacing. The replacement period will vary depending on the filters used, hours of use, air quality, and rate of air flow. For filter replacement indicator descriptions see *FILTER REPLACEMENT INDICATORS* section.
- 2 CARBON FILTER REPLACEMENT INDICATOR** — This indicator will show its status when the access panel is open or closed. If the light is red this indicates the filter needs replacing. The replacement period will vary depending on the filters used, hours of use, air quality, and rate of air flow. For filter replacement indicator descriptions see *FILTER REPLACEMENT INDICATORS* section.
- 3 ACCESSORY INDICATOR** — This indicator will show its status when the access panel is open or closed. This indicator will only be used if an accessory filter is installed in the unit. If the light is red this indicates the filter needs replacing. The replacement period will vary depending on the filters used, hours of use, air quality, and rate of air flow. For filter replacement indicator descriptions see *FILTER REPLACEMENT INDICATORS* section.
- 4 AIR QUALITY SENSOR** — This indicator will show its status when the access panel is open or closed. This indicator monitors the air quality and adjusts the fan speed to keep your air purified. Blue, amber, and red lights indicate the purity of your air.
- 5 PlasmaTRUE™ TECHNOLOGY** — This indicator will show its status when the access panel is open or closed. Creates an ionized field to help safely remove airborne pollutants. To turn on and off the PlasmaTRUE™ TECHNOLOGY, touch and hold the PLASMA indicator. A blue light illuminates when the PlasmaTRUE™ TECHNOLOGY is enabled. To disable the PlasmaTRUE™ TECHNOLOGY, press and hold “Plasma” indicator until light is off.
- 6 NORMAL MODE** — Select this mode for restrooms, cafeterias, fitness areas, and other louder areas as rapid purification is initiated when the room is occupied and/or strong airborne contaminants are present. To select, press and hold the “Normal” indicator until icon illuminates. This mode monitors air quality, motion, and noise level to adjust the fan speed in order to keep your air purified as quickly as possible. The fan can reach turbo speed to clean the room in the case of high levels of contaminant.
- 7 QUIET MODE** — This mode utilizes the 3 lowest, most quiet of the 5 fan speeds. Select this mode for classrooms, meeting rooms, offices, and other quieter areas as the unit will not run faster than the maximum set speed. To select, press and hold the “Quiet” indicator until icon illuminates. Continue to press and hold the indicator to switch between the maximum speeds in this mode. There are three different levels; each level represents a maximum fan speed that the unit can achieve.
 - Level 1 = The lowest speed, the unit will beep one time when this mode has been selected and the unit will not run faster than this lowest speed.
 - Level 2 = Low speed, the unit will beep two times when this mode has been selected and the unit will not run faster than low speed.
 - Level 3 = Medium speed, the unit will beep three times when this mode has been selected and the unit will not run faster than medium speed.The Quiet Mode monitors air quality, motion, and noise level to adjust the fan speed in order to keep the air purified as efficiently as possible while not exceeding the maximum speed level selected.

OPERATION

The air purifier continuously works in automatic mode; the user can select which preference they would like the purifier to use based on the location or desired operation of the air purifier. The purifier will operate through a minimized range of speeds, not exceeding the maximum level selected, in order to run quietly while cleaning the room of contaminants. Once air is cleaned, and no sensors are activated, the unit lowers to energy saving mode to reduce energy consumption and extend the life of the filters.

When Normal mode is selected the Normal indicator on the control panel will be blue when the access panel is open. The purifier will operate through its full range of speeds in order to clean the room of contaminants as quickly as possible. Once air is cleaned, and no sensors are activated, the unit lowers to energy saving mode to reduce energy consumption and extend the life of the filters.

When Quiet mode is selected the Quiet indicator on the control panel will be blue when the access panel is open. The purifier will operate through a minimized range of speeds in order to stay as quiet as possible while cleaning the room of contaminants. Once air is cleaned, and no sensors are activated, the unit lowers to energy saving mode to reduce energy consumption and extend the life of the filters.

CARE AND MAINTENANCE

CLEANING:

- Clean external housing as necessary by wiping with a dry, soft cloth; for stains, use a warm, damp cloth.
- Do not use volatile fluids such as benzene, paint thinner, scouring powder or other cleaners that may damage the unit surface.
- Clean intake and exhaust vents by wiping with a dry, soft cloth.

FILTER REPLACEMENT INDICATORS:

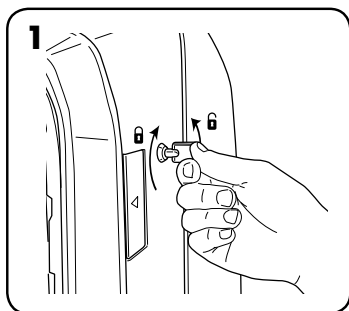
The replacement filter indicators will signal when to replace the HEPA Filter and/or Carbon with Pre-Filter. The replacement period will vary depending on the hours of use, air quality, and rate of air flow. However, under normal usage, most HEPA Filters need to be replaced every 2 years, and Carbon with Pre-Filter every 6 months. When a filter needs to be replaced the following color will be shown on any one of the HEPA, CARBON, or ACCESSORY filter replacement indicators:

Red flashing = 90% filter wear (recommendation to order new filters)

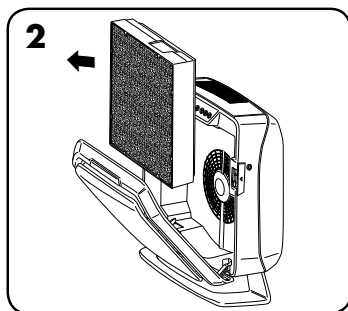
Red steady = 100% filter wear (replace with new filters)

Do not wash and reuse any of the filters – they will not work effectively. Only use AeraMax[®] PRO brand replacement filters as units will not function using any other replacements.

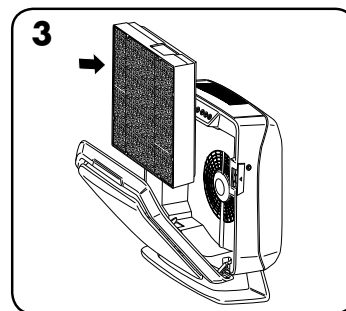
FILTER REPLACEMENT PROCEDURE:



1 Unlock access panel: to unlock, insert the key provided and rotate counter-clockwise ¼ turn.



2 Open front access panel by pressing latches on both sides of unit. Allow panel to open fully. Remove filter(s) to be replaced.



3 Remove any packaging wrap from the new filter(s) and re-install the filters.

FILTER REPLACEMENT:

When installing a new filter the unit will automatically detect the filter type but the user will have to manually reset the filter replacement indicators. To reset any of the filter replacement indicators use the following procedure:

- 1** Touch and hold the illuminated indicator for three seconds until a beep is heard and the indicator is flashing green.
- 2** Release finger from indicator.
- 3** Touch and hold the indicator for three seconds until a beep is heard and the indicator light turns off.

Note: If you do not complete step three within 10 seconds of completing step 1 then the indicator light will not be reset.

TROUBLESHOOTING

PROBLEM:	POSSIBLE SOLUTION:
The air quality control system fails to start.	<ul style="list-style-type: none">• Check to assure unit is connected to power supply.• Make sure filters are genuine AeraMax[®] PRO filters, as unit will not function with other brands. IMPORTANT: Make sure filter detection area on genuine AeraMax[®] PRO replacement filter aligns with window in filter frame.• Review "Re-Installing Filters" section for further detail.• Make sure front access panel is closed completely.• Make sure power switch is on.
The unit makes a faint ticking sound.	<ul style="list-style-type: none">• This indicates that the "PlasmaTRUE™" bipolar ionizer is working.
The HEPA and/or Carbon Filter replacement indicator light remain lit after replacing the filter(s).	<ul style="list-style-type: none">• Repeat filter light reset instruction.

AeraMax[®] Pro AM III



Fellowes, Inc.

1789 Norwood Ave

Itasca, Illinois 60143-1095 USA

630-893-1600

1-800-477-7940

Product Support: 1-800-945-4545

www.aeramaxpro.com