

Fellowes
AIR PURIFIERS

Quick Start Guide



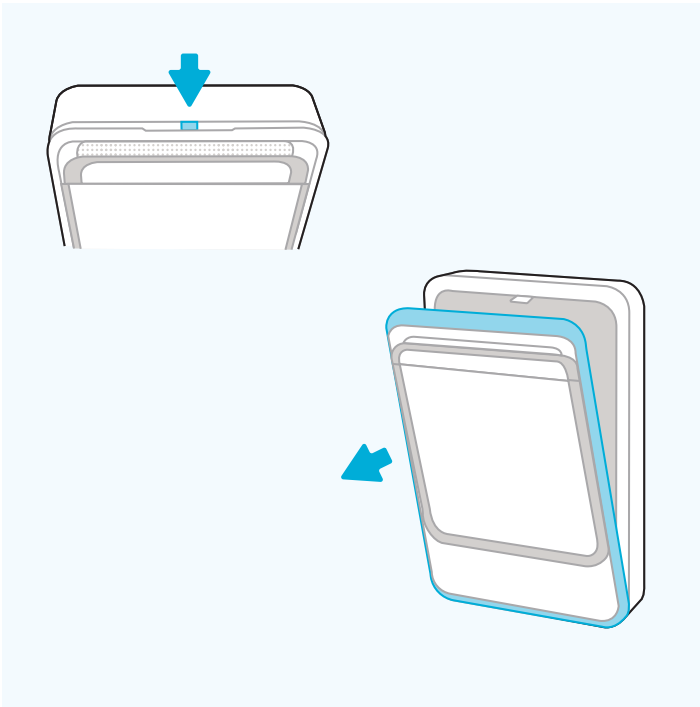
AERAMAX[®] PRO AM2



This guide is for machine set-up. For full installation guidelines, please refer to the product documentation that came with the unit, or visit <http://support.fellowes.com>

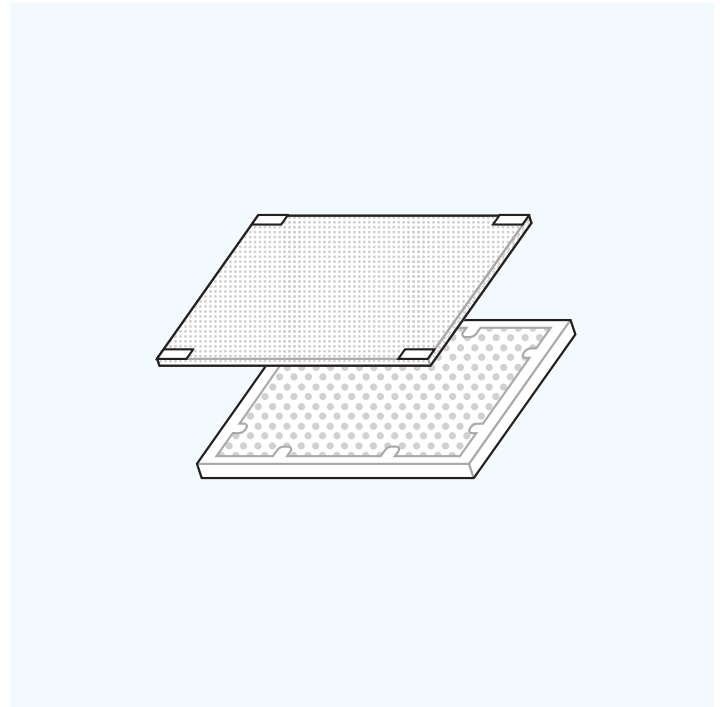
Welcome to Healthy Air

Setting up your air purifier



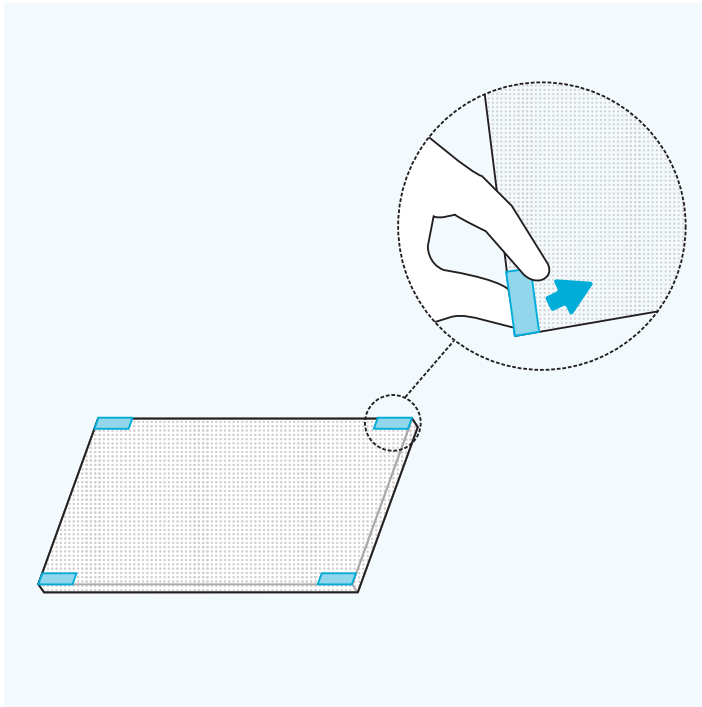
01

- » Press the access panel latch located at the top of the unit down while pulling the front panel towards you.



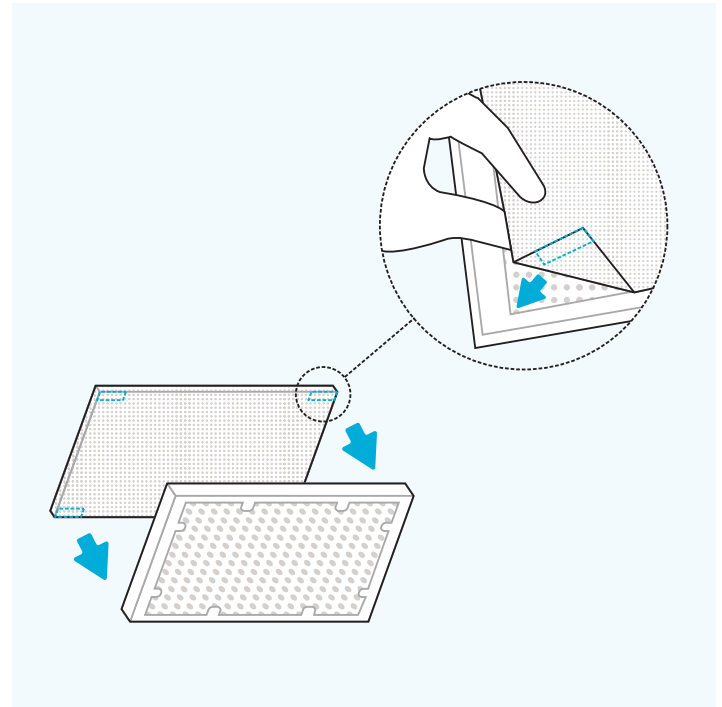
02

- » Remove bag from filters.



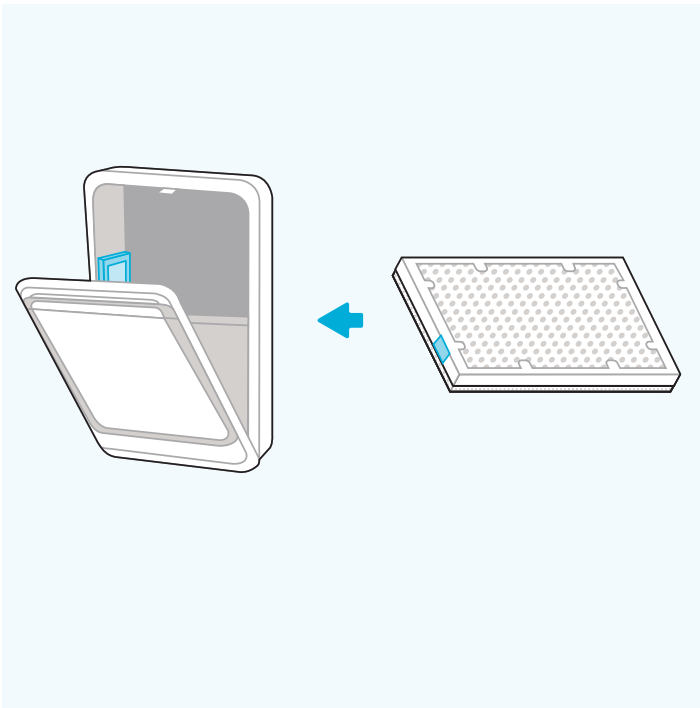
03

» Peel adhesive back on 4 corners of green pre-filter.

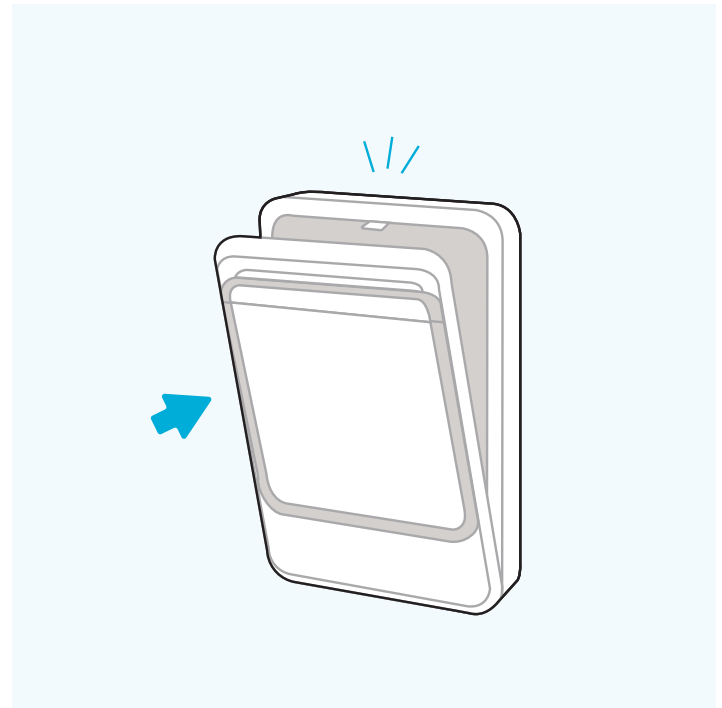


04

» Adhere pre-filter over the black carbon side of the hybrid HEPA filter.

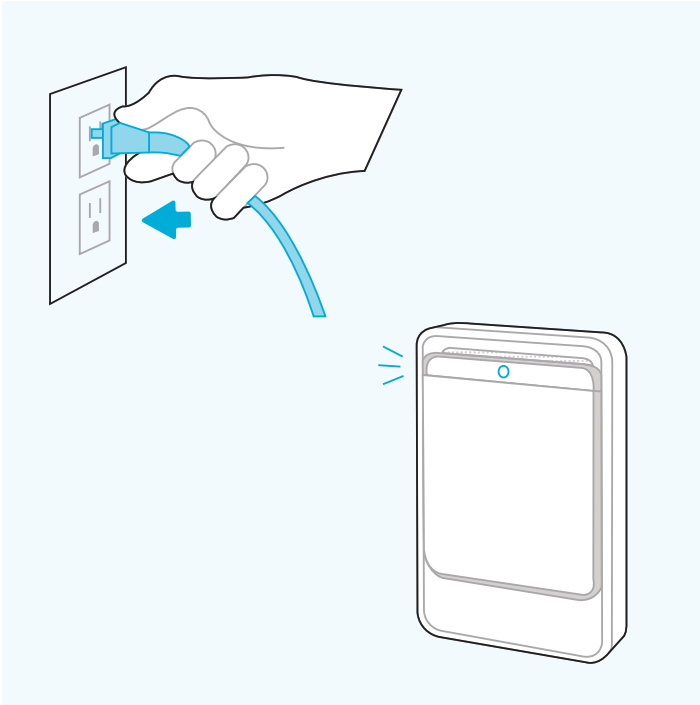
**05**

- » Align the AeraMax Pro Certified Filter stickers on the filter and the inside of the unit.
- » Insert filters and ensure the green pre-filter goes in first. The HEPA filter should be facing out.

**06**

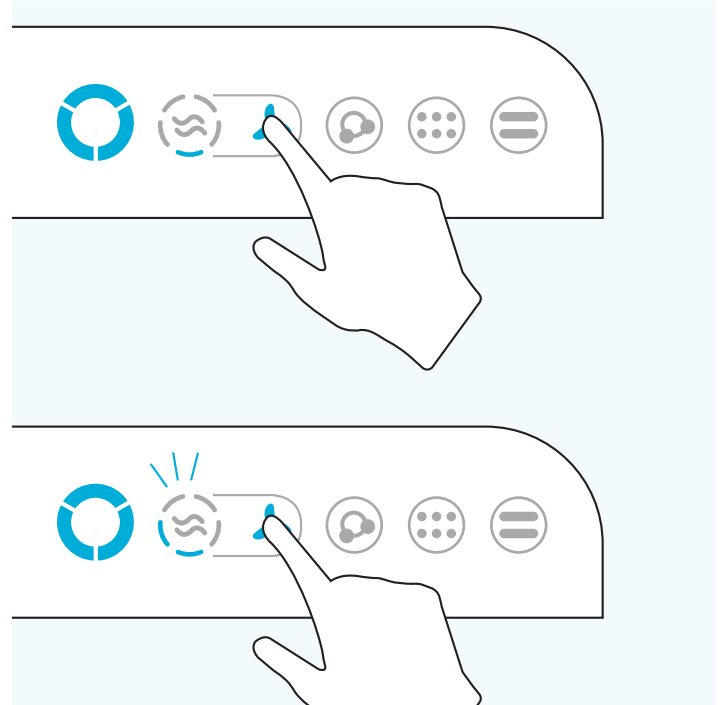
- » Close front panel. You will know it's secure when you hear a click.

Getting started



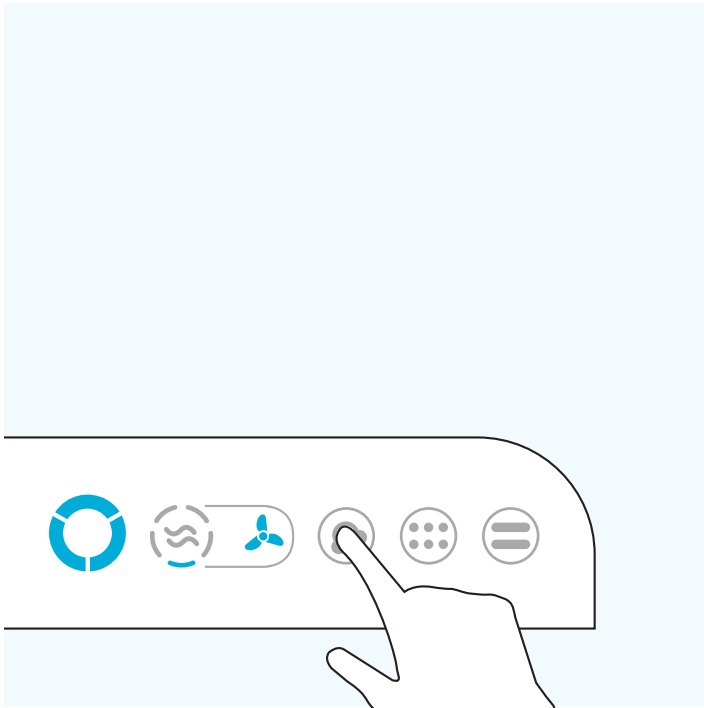
07

- » Plug into an outlet and ensure the power switch located at the bottom rear of the unit next to the power cord is switched to the on position.
- » The machine is now powered on and in auto mode.



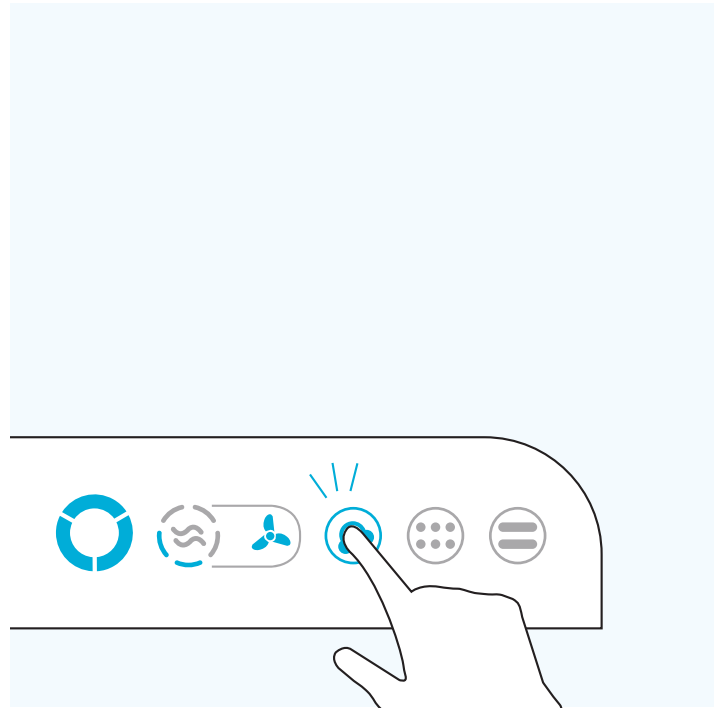
08

- » Once the unit is turned on, there is a 1 minute delay before you can manually adjust the fan speed.
- » You can adjust fan speed manually by pressing and holding the fan icon until a beep is heard.
- » The higher the beep pitch, the faster the fan speed.



09

» Ionizer will be off by default.



10

» To turn on the ionizer, hold down on ionizer icon until it beeps, then release.





Protect What Matters Most

Register your product to the AeraMax Protects Program and receive one additional year of warranty protection as well as filter replacement reminders.

Fellowes.com/aeramaxprotects



Scan To
Register Product

