

**Fellowes**  
AIR PURIFIERS

# Quick Start Guide



This air purifier removes airborne germs,  
allergens, viruses and odors.

**AERAMAX<sup>®</sup> PRO AM3**



AM3S



This guide is for machine set-up. For full installation guidelines, please refer to the product documentation that came with the unit, or visit <http://support.fellowes.com>

---

# Welcome to Healthy Air

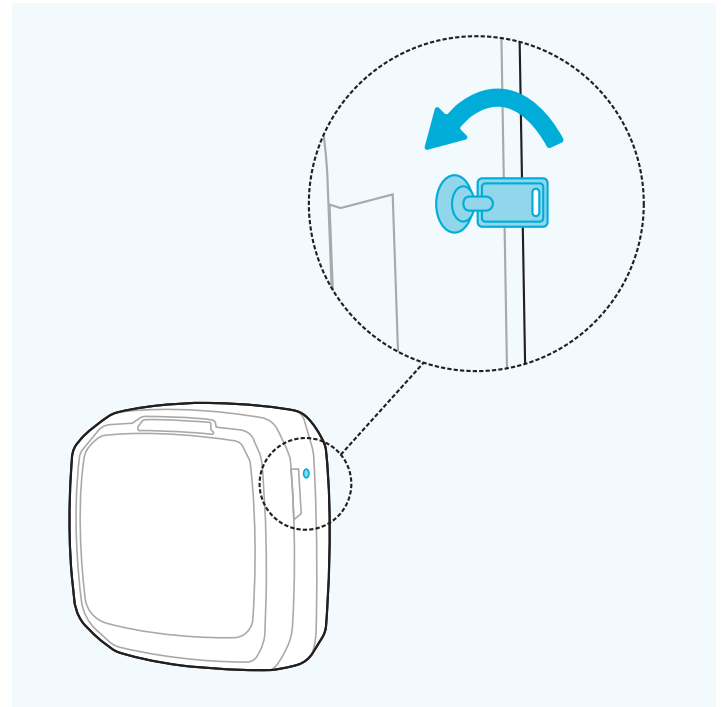
---

# Setting up your air purifier



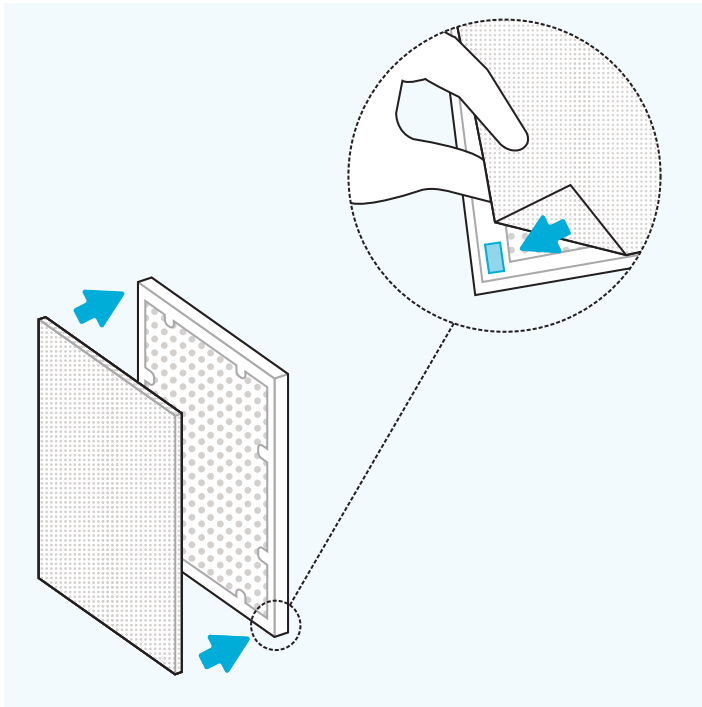
**01**

» Open unit fully by pressing latches on both sides.



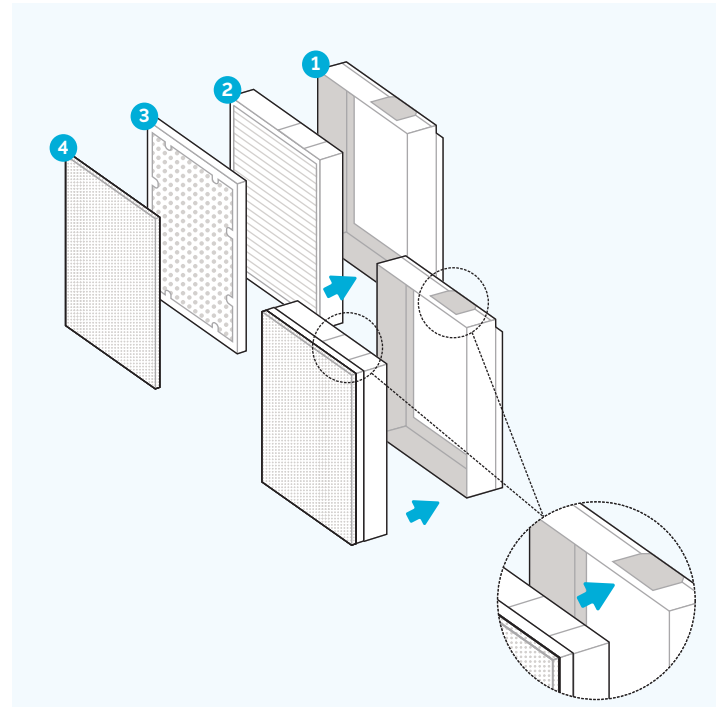
**02**

» If locked, insert key and rotate counterclockwise  $\frac{1}{4}$ .



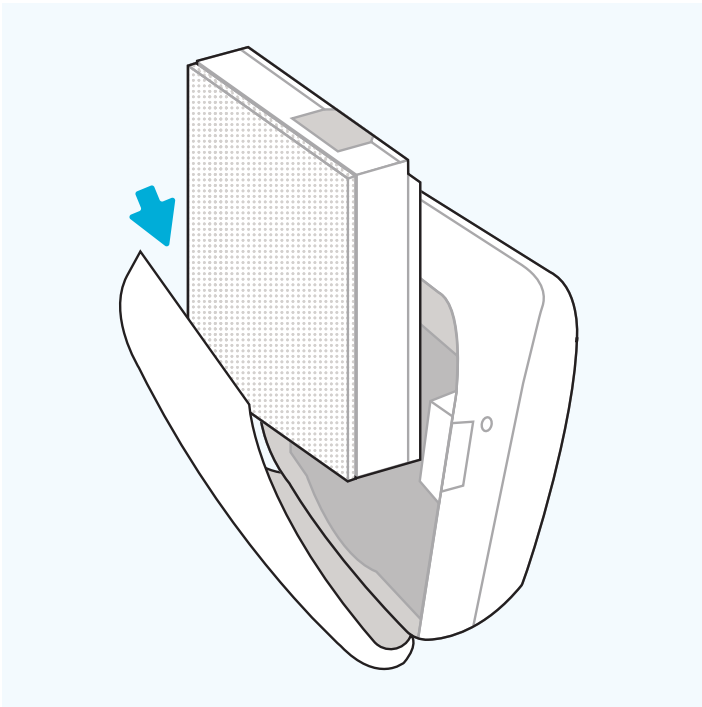
### 03

- » Remove all filters from plastic. Check that the Velcro on the carbon filter is facing out. Attach pre-filter to the Velcro strips in each corner of the carbon filter.



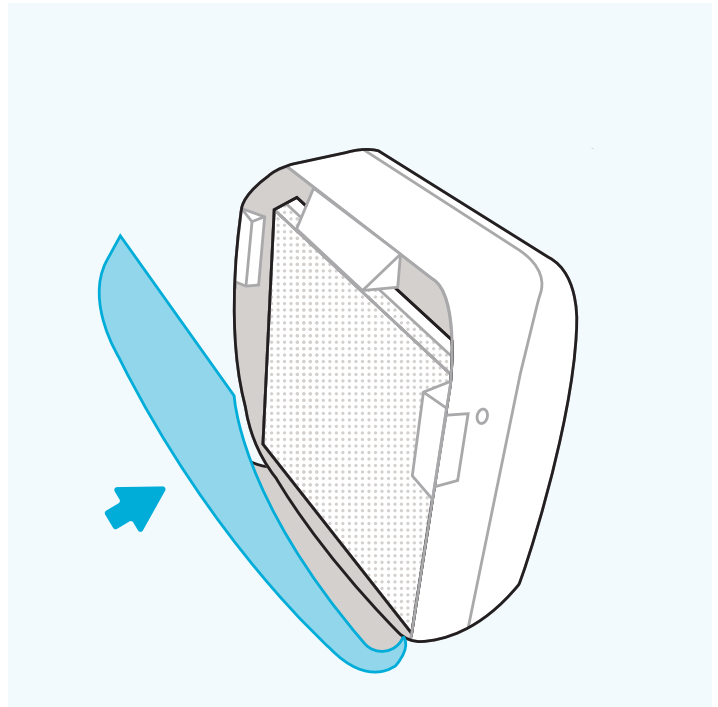
### 04

- » Arrange filters in proper order. HEPA is placed first in the frame. Carbon on top of HEPA. Pre-filter on top of Carbon, attached in all four corners.



**05**

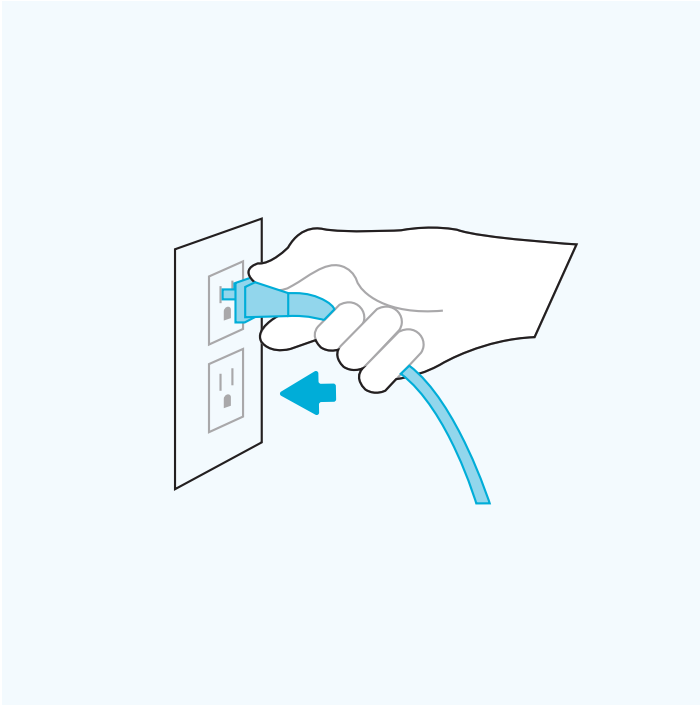
» Place filter assembly back into unit. White sticker on top and white pre-filter in front.



**06**

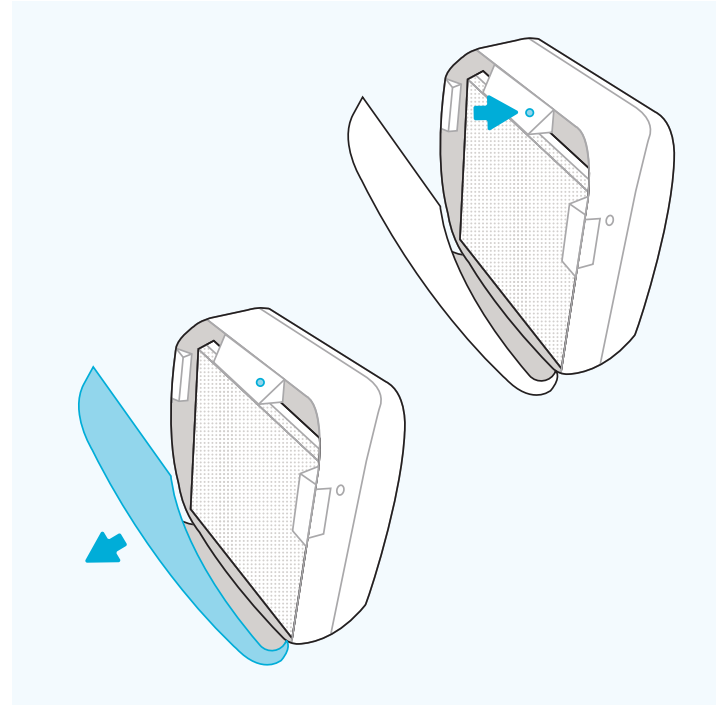
» Close front panel until you hear a click.

# Getting started



**07**

» FLOOR UNITS ONLY: Plug into an outlet and ensure the power switch located at the bottom rear of the unit next to the power cord is switched to the on position. The unit will now be in auto-mode.



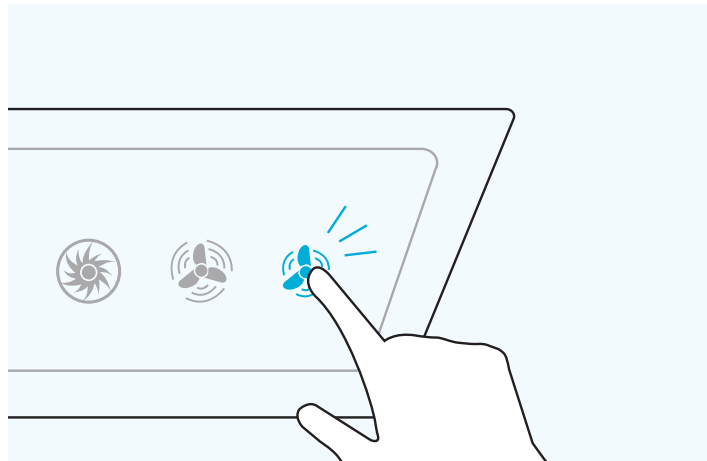
**08**

» Once the floor or wall unit is powered up, open front panel to adjust settings.



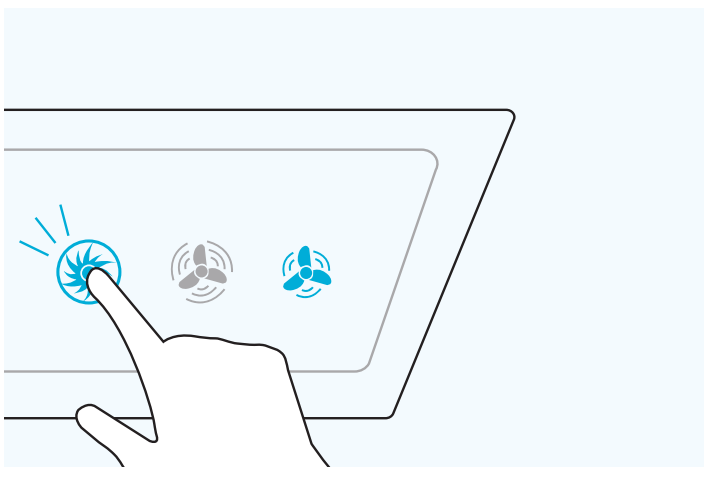
**09**

- » There are two settings, normal and quiet mode. Unit is defaulted to normal.



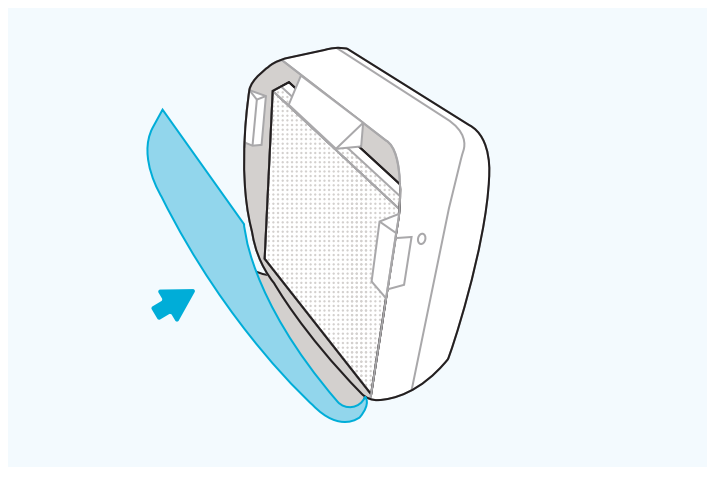
**10**

- » To select quiet mode, hold down the fan icon on the right for a few seconds until you hear a beep and the icon is illuminated.



**11**

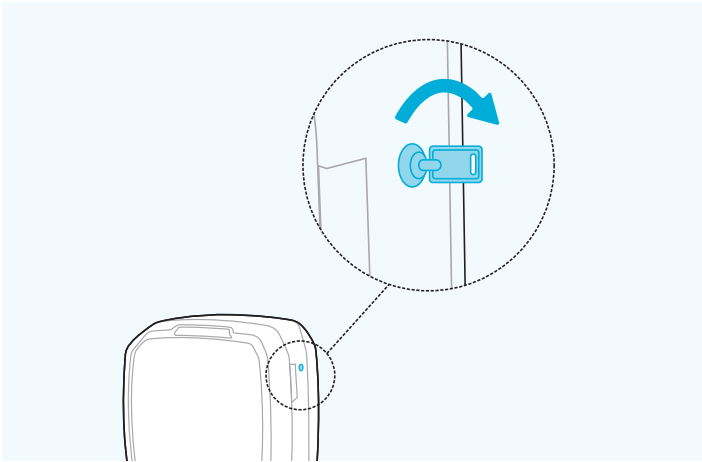
- » PlasmaTrue™ will be off by default. Turn the ionizer on by pressing and holding the ionizer icon until it is illuminated.



**12**

- » Close the front panel.





---

**13**

- » Once settings are complete, insert key on the right side and rotate clockwise  $\frac{1}{4}$  turn to lock machine.





---

# Protect What Matters Most

---

Register your product to the AeraMax Protects Program and receive one additional year of warranty protection as well as filter replacement reminders.

**[Fellowes.com/aeramaxprotects](https://Fellowes.com/aeramaxprotects)**



Scan To  
Register Product

